

HELI

LPG PNEUMATIC TIRE FORKLIFT

- GM ENGINE
- IMPCO LPG CONVERTER
- CLOSED-LOOP ELECTRONIC EMISSION CONTROL SYSTEM
- DIAGNOSTIC MEMORY
- MALFUNCTION DASH DISPLAY
- EPA CERTIFIED



4,000~7,000 Lbs

CPYD20
CPYD25
CPYD30
CPYD35



www.HeliAmericas.com

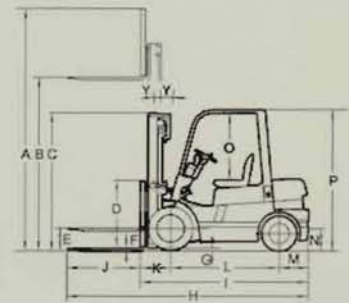
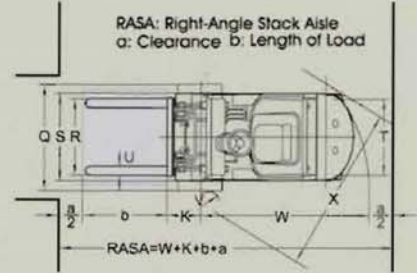
MANUFACTURER: **ANHUI HELI CO., LTD.**

DISTRIBUTOR: HELI AMERICAS • 1000 RIDGEWAY LOOP ROAD, SUITE 203, MEMPHIS, TN 38120
TEL: 901-255-0735 FAX: 901-255-0737



SPECIFICATIONS

Manufacturer		HELI			
Model		CPYD20	CPYD25	CPYD30	CPYD35
Load Capacity	lbs	4,000	5,000	6,000	7,000
Load Center	in	24	24	24	24
Lifting Speed (Without/With load)	fpm	118/108	118/108	92/88	73/65
Max. Travel Speed	mph	11.8	11.8	11.8	11.8
Overall Height Forks Raised	A in	225.6	225.6	234.2	238.2
Max. Fork Height	B in	185	185	185	189
Overall Height Upright Lowerad	C in	85	85	88.2	96
Free Lift	E in	44	44	38.2	46
Overall Length (With Forks)	H in	139.8	142.5	147.4	148.2
Overall Length (Without Forks)	I in	97.6	100.4	105.3	106.1
Min. Ground Clearance	G in	4.3	4.3	5.5	5.3
Overhang (Front/Rear)	K/M in	17.7/17	17.7/19.7	18.7/19.7	19.5/19.7
Wheel Base	L in	63	63	67	67
Overall Height (With Overhead Guard)	P in	81.5	81.5	82.3	82.3
Overall Width	Q in	45.3	45.3	48.2	48.2
Opening Of Forks	R in	9.6-40.2	9.6-40.2	9.8-41.7	9.8-41.7
Tread (Front/Rear)	S/T in	38.2/38.2	38.2/38.2	39.4/38.2	39.4/38.2
Min. Turning Radius (Outside)	W in	85.4	88.2	94.5	95.3
Min. Intersecting Aisle	X in	75.6	79.1	83.1	83.1
Fork Size	J/U/F in	42/4.75/1.5		42/5/1.75	42/6/2
Max. Drawbar Pull (Without/With Load)	lbs	1,874/3,667	1,998/3,667	2,205/3,487	2,250/3,487
Tilt Angle (F/B)	deg		6° -12°		
Max. Gradeability (With Load)	%		≥20		
Engine Model		GM 3.0 (LPG)			
Compression Ratio		8.2:1			
Rated Horsepower	hp/rpm	61.5/2800			
Rated Torque	lb ft/rpm	141/1400-1600			
Battery Voltage /Capacity	V/Ah	12/60			
Tires (Front)		7.00-12-12PR	28X9-15-12PR	28X9-15 solid Pneumatic Tires	
Tires (Rear)		6.00-9-10PR	6.50-10-10PR		
Total Weight	lbs	7,850	8,600	10,300	11,200



For Your Safety

- Before operating a lift truck, an operator must:
- *Be trained and authorized
 - *Read and understand the operator's manual
 - *Not operate a faulty lift truck
 - *Not repair a lift truck unless trained and authorized
 - *Have the overhead guard and load backrest extension in place

During operation, a lift truck operator must:

- *Wear a seat belt
- *Keep entire body inside truck cab
- *Never carry passengers or lift people
- *Keep truck away from people and obstructions
- *Travel with lift mechanism as low as possible and tilted back

To park a lift truck, an operator must:

- *Completely lower forks or attachments
- *Shift into neutral
- *Turn key off
- *Set parking brake



CE Certification



ISO9001 Certification

